

---

# **HERDIZ Construction Inc**

General Contractor

**THE ECONOMIC IMPACT AND PRODUCTIVITY OF WELDING.  
MAKING VALUE FOR AMERICA.**

Every year, welding manufacturing operations in the United States lose millions of dollars in profits due to the improper calculation of costs and inefficient welding practices. We can help you identify the points loss current, use advances in technology, measure, and manage the costs of production in order to reduce expenses and ensure quality.

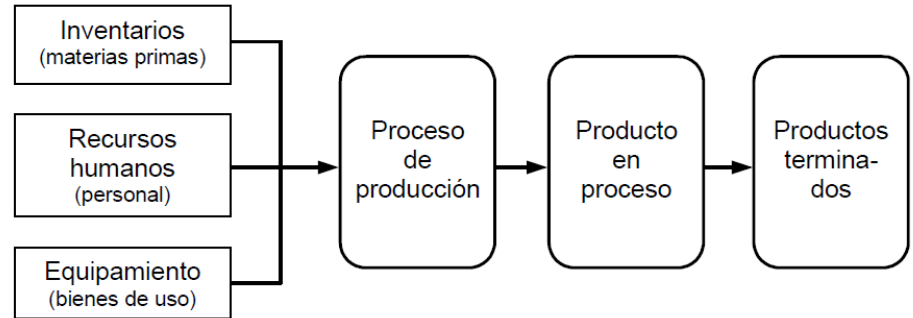
Technological developments, reengineered operations, and economic forces are changing the way products and services are conceived, designed, made, distributed, and supported. Manufacturing or “making things” can no longer be considered separate from the value chain, the system of research and development, product design, software development and integration, and lifecycle service activities performed to deliver a valuable product or service to market. Businesses are focusing on this entire system to ensure that they are “making value” for their customers and are less likely to be disrupted by competitors or new technologies.

- 1. Tangible cost reduction**
- 2. Optimize procedures and methods**
- 3. Focus on the Total Process**
- 4. Solutions by integrating advanced technologies**

*Increase of profit margin by a cost reduction program and introduction of advanced technologies.*

... Reduction of costs is to implement a system of continuous improvement, is not making cuts, is to manage them...

... Reduction of costs by cost-cutting causes interruptions in the process of quality...



**Evaluation and design of production flow,  
Redesign of the current production plant**

## IDENTIFICATION OF "BOTTLENECKS" IN PRODUCTION PROCESSES

...limitations of equipment  
in production...

...management...

...technologies...

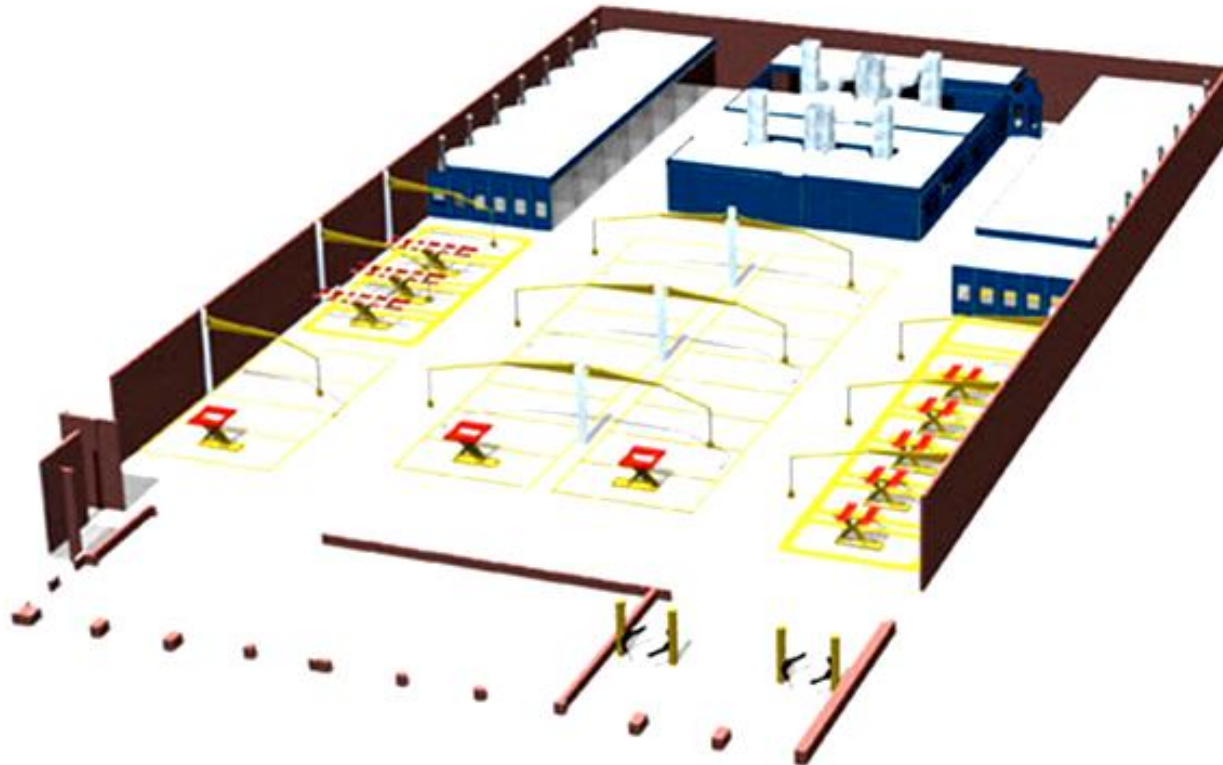
...people...

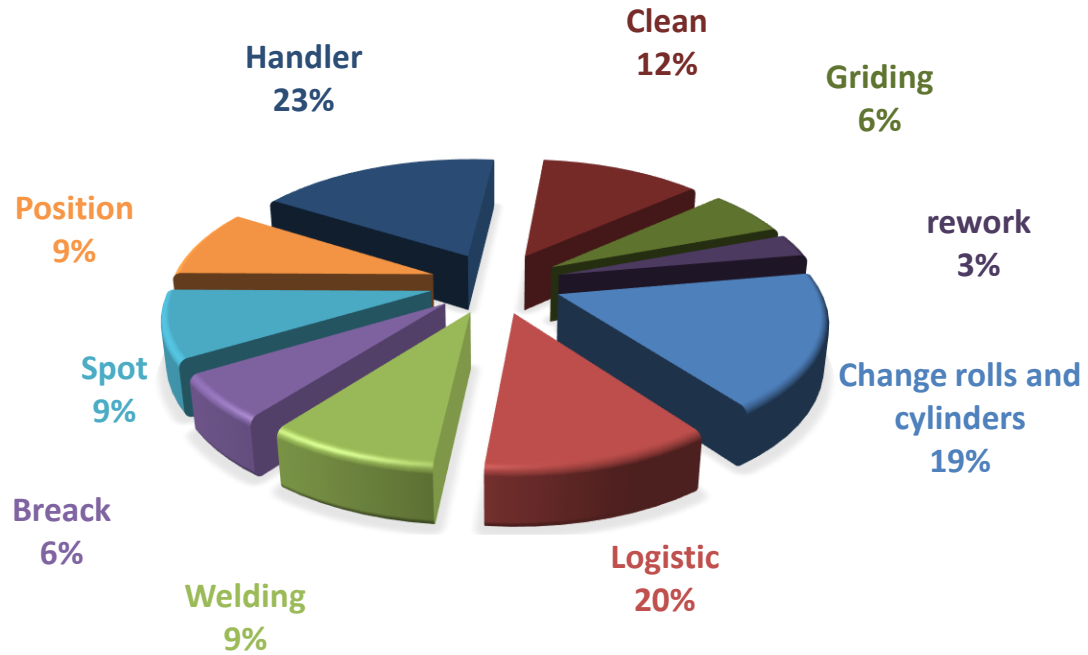
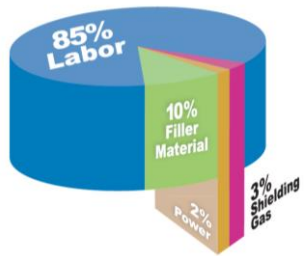
**...bottlenecks block the possibility of higher profits to the company...**

## **ORGANIZATION AND PRODUCTION FLOW**

Efficiency improvements in workshops of metal structures,

Improvements in efficiency and productivity in continuous production processes





(non-real data)



*Welding devices, wire feeders and control systems*



*Accessories, tools and spare parts*



*Stick (SMAW) Welding*



*TIG Welding*



*Multiprocess Welding*



*Engine-Driven Welder/AC Generator*

*FCAW/MIG Welding*



*Induction Heating System*



*Resistance Spot Welding*



*Robotic Welding Systems*



*Air Plasma Cutting*



*Submerged Arc Welding*





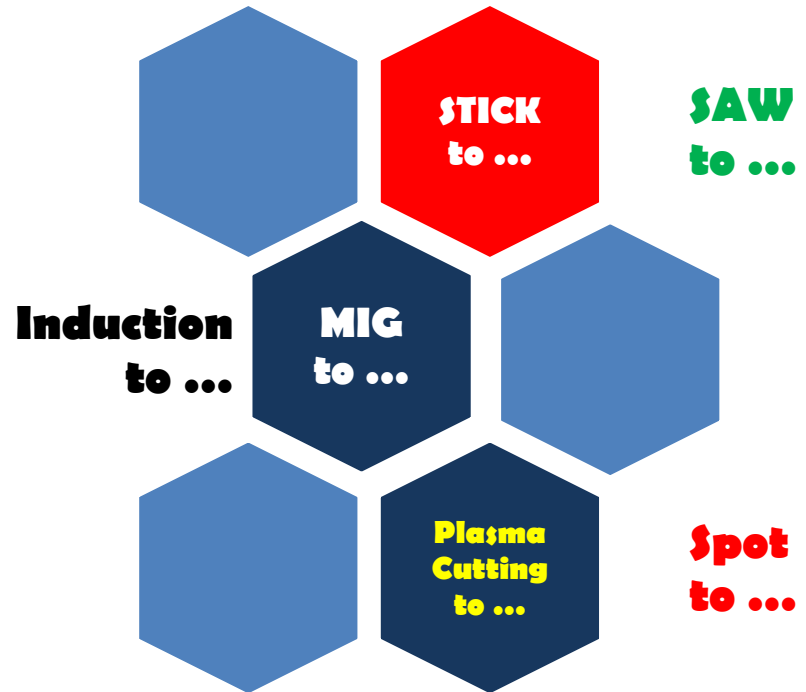
# **CHANGE OF WELDING PROCESS**

**SAW to MIG**

**STICK to MIG**

## **CHANGE OF PROCESS OF WELDING**

While there are companies that have modernized their processes and welding procedures there is a technological backwardness in the field of welding with regard to countries that compete in the region since many companies use processes that can be replaced or simplified methods and advanced technologies that require a minimum of investment and to make the processes more efficient and cost-effective.



We provides you with recommendations for change of welding processes generate greater benefits from the reduction of the final cost of the production process.

...Flux-Cored (FCAW-G) Welding, MIG welding process, Metal Core, Waveform Control Technology, Software Solutions, Inverter Energy, The Chopper Technology, Pulsed MIG (GMAW-P), Pulse-on-Pulse, Pro-Pulse™, FineLine® High Definition Plasma Cutting Technology, Weld Preheating and Strees Relieving, Synergic Aluminum Welding System, Auto-Line™, RMD™ (Regulated Metal Deposition), Surface Tension Transfer® (STT®), AC/DC Submerged Arc Welding, Tandem Submerged Arc...

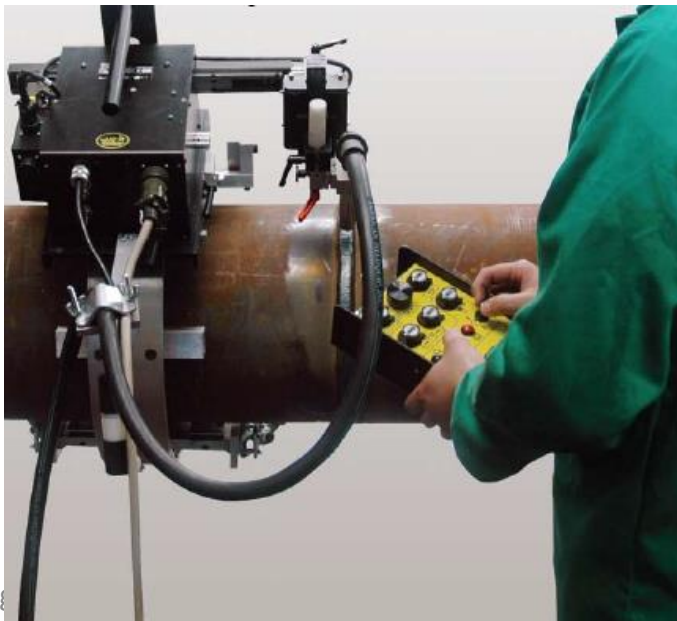
Power Wave® STT ® Module, Power Wave® Manager, CheckPoint™, Production Monitoring™ 2.2, WeldScore™, PowerWaveSoftware, UltraCore™, RapidArc™— High Speed GMAW Welding, Pulsed Spray Metal Transfer, TANDEM MIG™ PROCESS, AC/DC inverter-based GTAW, AC Auto-Balance® technology, True Energy™, TOTAL s2f™ Aluminum Welding Solutions, Spool guns, Push-pull guns, AlumaFeed™ Synergic Aluminum Welding System

Axcess® and Auto-Axcess™ Systems, Continuum™ System, Insight Core, Insight Centerpoint, ArcReach™ Systems, LiveArc™ Workstation, Trans Process Solutions TPS/i, Transpuls synergic, COLD METAL TRANSFER, SpeedPulse, SpeedArc, Speed™, MicroStick, MobilePower

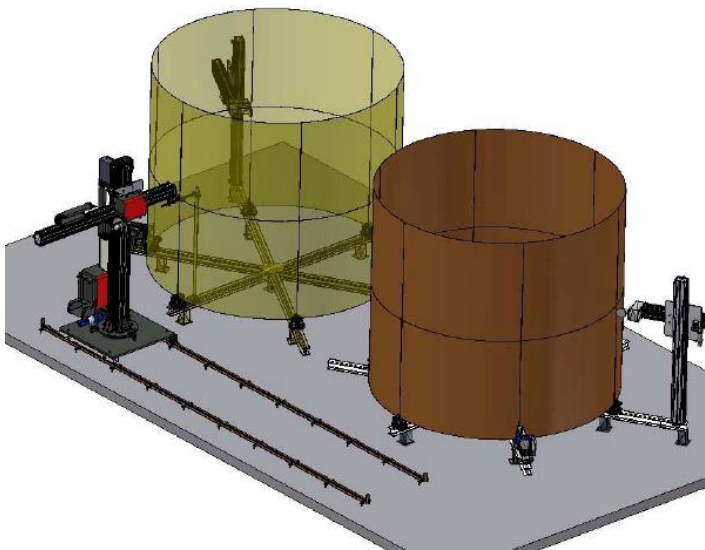
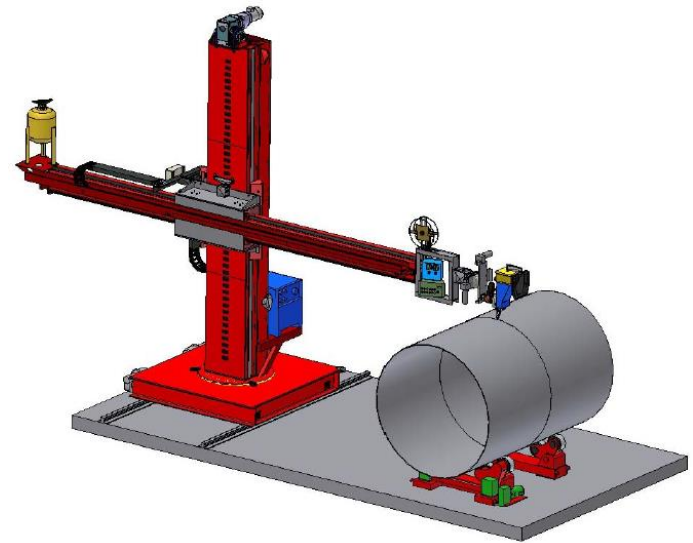
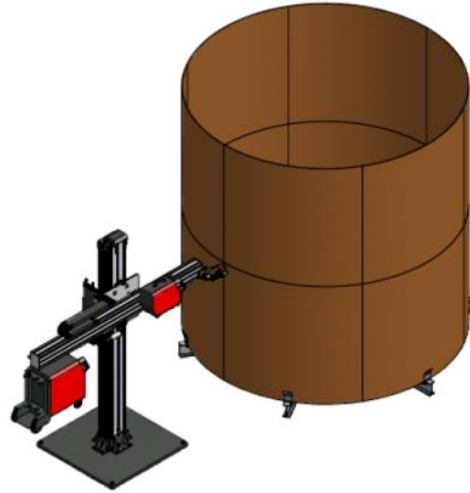
New welding technologies

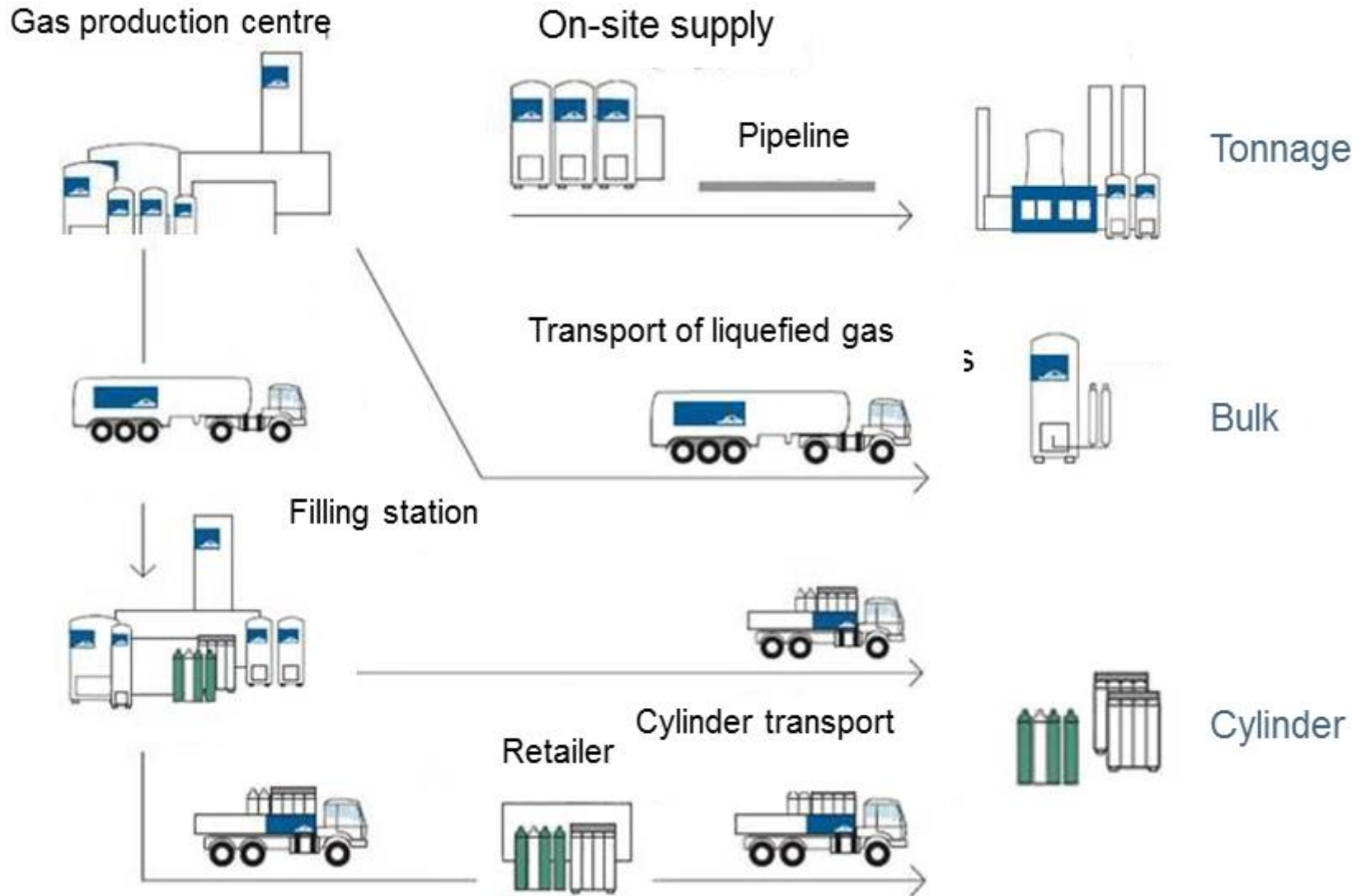


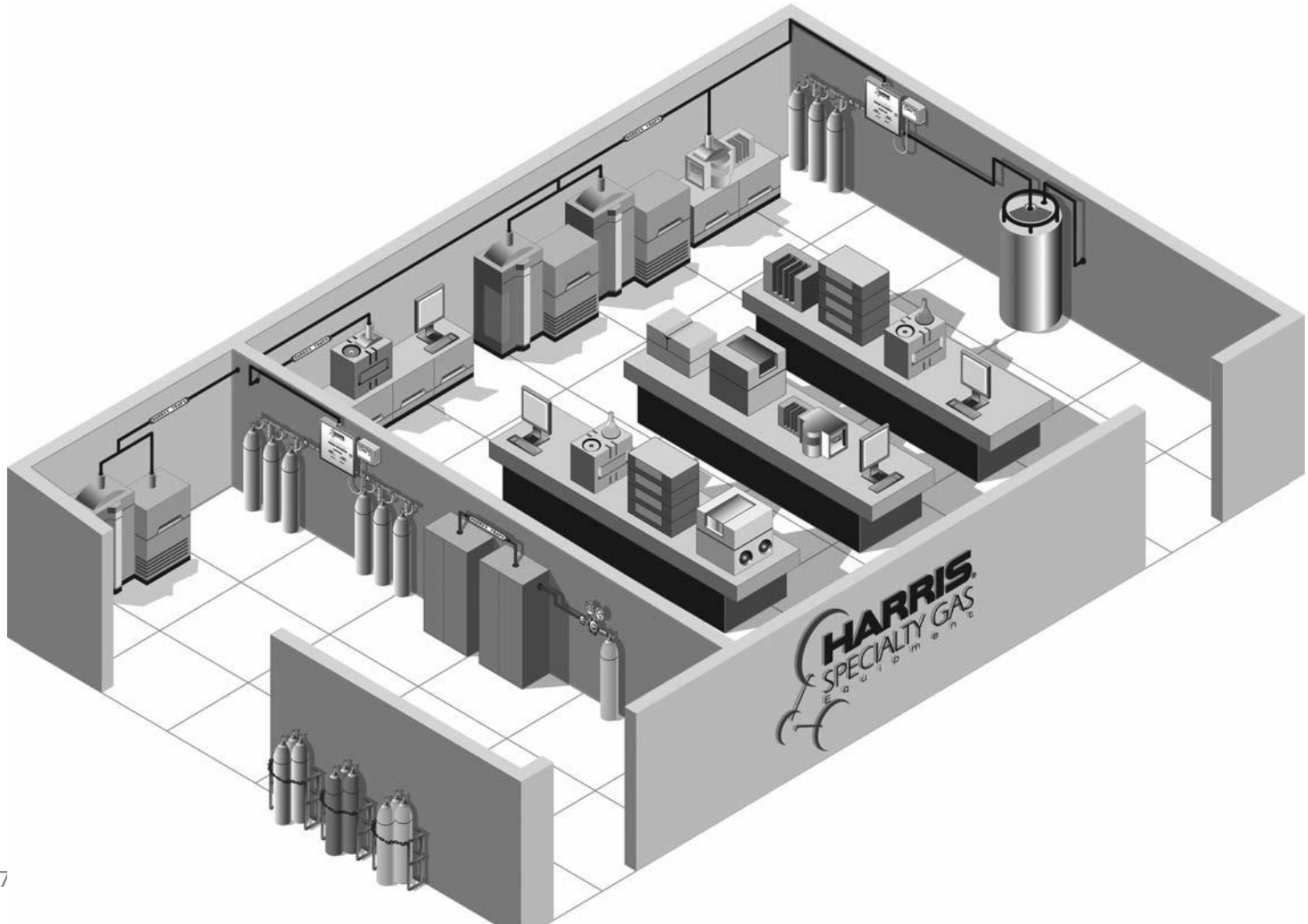
- Low cost of production and maintenance.
- Optimization of labor saving material saving energy
- Suspension of dangerous or heavy work.
- Improvements of working conditions.
- Better quality of the product



**TANKS: MIG/TIG WELDING**







**Thank you**

**Miguel Alfonso (BSME)**

**(561) 612 1384**

**alfonso@herdizconstruction.com**